



TECHNICAL SPECIFICATION

Bulletin : DRI-EDC-016-2
 Effective : March 18, 2009
 Supersedes : DRI-EDC-016-1
 Dated : Feb 08, 2007

DESICCANT ROTORS INTERNATIONAL PVT. LTD.

ARCTIC INDIA HOUSE, 20, RAJPUR ROAD, DELHI - 110054 (INDIA)

PHONE : 91-11-23906666 FAX: 91-11-23906600

E-MAIL: dri@pahwa.com, Website: www.drirotors.com



ECO-DRY DESICCANT CASSETTE

EDC SERIES (50, 100, 200 & 400mm DEPTH)

ECO-DRY DESICCANT CASSETTE (EDC 250-4250) COMES WITH ECO-DRY ROTOR
 ALL EDC SERIES UNIT HAVE THE FOLLOWING OUTSTANDING FEATURES

High efficiency and reliability

- * CNC fabricated unit(s) with powder coated finish.
- * High moisture removal capacity at relatively low energy cost.
- * Suitable for electrical, steam, thermic fluid, direct/indirect fired gas - reactivation source.
- * Rotor incorporates robust internal structure with perimeter flange for industrial quality and durability.
- * Rotor is water washable
- * Rotor perimeter flange extend media and seal life.
- * The rotor is made of alternate flat and corrugated inorganic fibre of very uniform pitch and height.

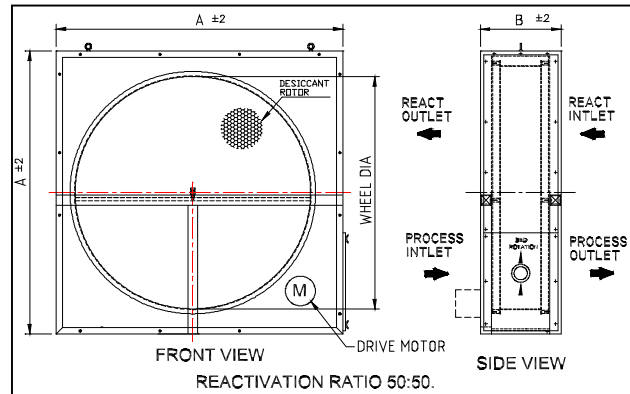
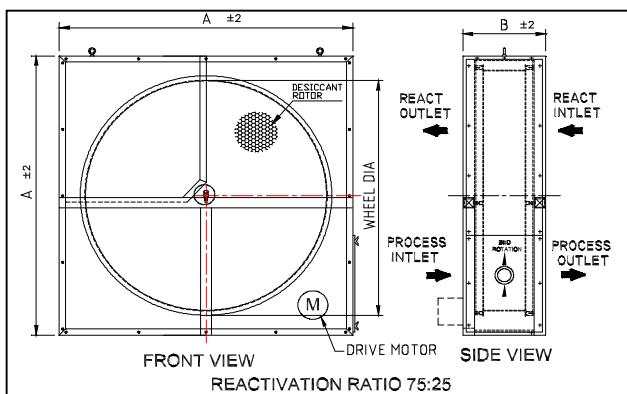
- * Rotor is non-flammable with organic <2%.
- * Hard face coating on rotor edge ensures long life and good sealing for media and seals.
- * Rotor depth 50, 100, 200 & 400mm.
- * Unique PTFE bonded bulb seal design minimizes air leakage.
- * Suitable for continuous operation.
- * Quick and easy to service.
- * Easy, access to all major components.
- * Quick serviceability and maintenance free operation.

PROCESS AND REACTIVATION RATIO

| P & R RATIO | 3:1 | 1:1 |
|-------------------|-----|-----|
| 50mm ROTOR DEPTH | √ | X |
| 100mm ROTOR DEPTH | √ | X |
| 200mm ROTOR DEPTH | √ | √ |
| 400mm ROTOR DEPTH | √ | X |

POWER REQUIREMENT

| | | |
|----------------|---------------|---------------------------------|
| EDC 250 -370 | 1/85 Hp / 6W | 115V/1PH/60HZ or 230V/3PH/50Hz. |
| EDC 440 -770 | 1/40 Hp / 25W | 115V/1PH/50HZ or 230V/3PH/50Hz. |
| EDC 965 -2190 | 1/6 HP | 220V/3PH/60Hz or 415V/3PH/50HZ |
| EDC 2450 -4250 | 1/4 HP | 220V/3PH/60Hz or 415V/3PH/50HZ |



OPTIONS AVAILABLE

| | |
|------------------------------|----------------------|
| STAINLESS STEEL CONSTRUCTION | AVAILABLE ON REQUEST |
| SINGLE PHASE DRIVE | AVAILABLE ON REQUEST |
| HORIZONTAL MOUNTING | CONSULT FACTORY |
| LARGE SEGMENTED WHEELS | AVAILABLE ON REQUEST |

Notes :-

1. 115V/1Ph/60Hz for USA Market
2. 230V/1Ph/50Hz for ASIAN Market

ALL DATA SUBJECT TO CHANGE WITHOUT NOTICE



ECO-DRY DESICCANT CASSETTE DATA (RATIO 75:25)

EDC 250-300 (ROTOR DEPTH-50mm)

| S.NO. | MODEL | DIMENSIONS | | | | NOMINAL PROCESS AIR VOLUME | | | APPROX WEIGHT (IN POUNDS.) | APPROX WEIGHT (IN KGS.) |
|-------|------------|------------|-----------|-------|------|----------------------------|----------------|-----------------|----------------------------|-------------------------|
| | | UNIT | WHEEL DIA | A | B | UNIT | Min @1.0 m/sec | Max. @2.0 m/sec | | |
| 1 | EDC-250-50 | inches | 9.84 | 17.72 | 7.68 | CFM | 59 | 118 | 84 | 38 |
| | | mm | 250 | 450 | 195 | CMH | 100 | 201 | | |
| 2 | EDC-300-50 | inches | 11.81 | 19.69 | 7.68 | CFM | 91 | 181 | 93 | 42 |
| | | mm | 300 | 500 | 195 | CMH | 154 | 308 | | |

EDC 250-370 (ROTOR DEPTH-100mm)

| S.NO. | MODEL | DIMENSIONS | | | | NOMINAL PROCESS AIR VOLUME | | | APPROX WEIGHT (IN POUNDS.) | APPROX WEIGHT (IN KGS.) |
|-------|-------------|------------|-----------|-------|------|----------------------------|----------------|-----------------|----------------------------|-------------------------|
| | | UNIT | WHEEL DIA | A | B | UNIT | Min @1.0 m/sec | Max. @3.0 m/sec | | |
| 1 | EDC-250-100 | inches | 9.84 | 17.72 | 9.65 | CFM | 59 | 177 | 88 | 40 |
| | | mm | 250 | 450 | 245 | CMH | 100 | 301 | | |
| 2 | EDC-300-100 | inches | 11.81 | 19.69 | 9.65 | CFM | 91 | 272 | 99 | 45 |
| | | mm | 300 | 500 | 245 | CMH | 154 | 462 | | |
| 3 | EDC-370-100 | inches | 14.57 | 22.44 | 9.65 | CFM | 145 | 436 | 112 | 51 |
| | | mm | 370 | 570 | 245 | CMH | 247 | 741 | | |

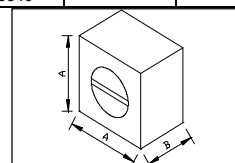
EDC 250-4250 (ROTOR DEPTH-200)

| S.NO. | MODEL | DIMENSIONS | | | | NOMINAL PROCESS AIR VOLUME | | | APPROX WEIGHT (IN POUNDS.) | APPROX WEIGHT (IN KGS.) |
|-------|--------------|------------|-----------|--------|-------|----------------------------|----------------|-----------------|----------------------------|-------------------------|
| | | UNIT | WHEEL DIA | A | B | UNIT | Min @2.0 m/sec | Max. @4.0 m/sec | | |
| 1 | EDC-250-200 | inches | 9.84 | 17.72 | 13.58 | CFM | 118 | 237 | 99 | 45 |
| | | mm | 250 | 450 | 345 | CMH | 201 | 402 | | |
| 2 | EDC-370-200 | inches | 14.57 | 22.44 | 13.58 | CFM | 291 | 581 | 128 | 58 |
| | | mm | 370 | 570 | 345 | CMH | 494 | 988 | | |
| 3 | EDC-440-200 | inches | 17.32 | 25.20 | 13.58 | CFM | 424 | 849 | 148 | 67 |
| | | mm | 440 | 640 | 345 | CMH | 721 | 1442 | | |
| 4 | EDC-550-200 | inches | 21.65 | 29.53 | 13.58 | CFM | 684 | 1368 | 181 | 82 |
| | | mm | 550 | 750 | 345 | CMH | 1162 | 2324 | | |
| 5 | EDC-770-200 | inches | 30.31 | 38.19 | 13.58 | CFM | 1369 | 2738 | 265 | 120 |
| | | mm | 770 | 970 | 345 | CMH | 2327 | 4653 | | |
| 6 | EDC-965-200 | inches | 37.99 | 45.87 | 15.55 | CFM | 2146 | 4292 | 344 | 156 |
| | | mm | 965 | 1165 | 395 | CMH | 3646 | 7293 | | |
| 7 | EDC-1220-200 | inches | 48.03 | 55.91 | 15.55 | CFM | 3496 | 6992 | 478 | 217 |
| | | mm | 1220 | 1420 | 395 | CMH | 5941 | 11881 | | |
| 8 | EDC-1525-200 | inches | 60.04 | 66.93 | 15.55 | CFM | 5506 | 11012 | 662 | 300 |
| | | mm | 1525 | 1700 | 395 | CMH | 9356 | 18712 | | |
| 9 | EDC-1740-200 | inches | 68.50 | 75.20 | 15.55 | CFM | 7165 | 14329 | 919 | 417 |
| | | mm | 1740 | 1910 | 395 | CMH | 12174 | 24349 | | |
| 10 | EDC-1940-200 | inches | 76.38 | 83.27 | 15.55 | CFM | 8970 | 17939 | 1080 | 490 |
| | | mm | 1940 | 2115 | 395 | CMH | 15242 | 30483 | | |
| 11 | EDC-2190-200 | inches | 86.22 | 93.11 | 15.55 | CFM | 11507 | 23014 | 1274 | 578 |
| | | mm | 2190 | 2365 | 395 | CMH | 19553 | 39106 | | |
| 12 | EDC-2450-200 | inches | 96.46 | 104.33 | 16.73 | CFM | 14410 | 28820 | 1665 | 755 |
| | | mm | 2450 | 2650 | 425 | CMH | 24486 | 48972 | | |
| 13 | EDC-2650-200 | inches | 104.33 | 112.20 | 16.73 | CFM | 16924 | 33848 | 1865 | 846 |
| | | mm | 2650 | 2850 | 425 | CMH | 28758 | 57516 | | |
| 14 | EDC-2950-200 | inches | 116.14 | 124.02 | 16.73 | CFM | 21069 | 42139 | 2183 | 990 |
| | | mm | 2950 | 3150 | 425 | CMH | 35802 | 71604 | | |
| 15 | EDC-3550-200 | inches | 139.76 | 147.64 | 16.73 | CFM | 30708 | 61416 | 2999 | 1360 |
| | | mm | 3550 | 3750 | 425 | CMH | 52180 | 104360 | | |
| 16 | EDC-3950-200 | inches | 155.51 | 163.39 | 16.73 | CFM | 38132 | 76264 | 3541 | 1606 |
| | | mm | 3950 | 4150 | 425 | CMH | 64795 | 129590 | | |
| 17 | EDC-4250-200 | inches | 167.32 | 175.20 | 16.73 | CFM | 44224 | 88448 | 3978 | 1804 |
| | | mm | 4250 | 4450 | 425 | CMH | 75147 | 150294 | | |

EDC 550-4250 (ROTOR DEPTH-400mm)

| S.NO. | MODEL | DIMENSIONS | | | | NOMINAL PROCESS AIR VOLUME | | | APPROX WEIGHT (IN POUNDS.) | APPROX WEIGHT (IN KGS.) |
|-------|--------------|------------|-----------|--------|-------|----------------------------|----------------|-----------------|----------------------------|-------------------------|
| | | UNIT | WHEEL DIA | A | B | UNIT | Min @2.0 m/sec | Max. @4.0 m/sec | | |
| 1 | EDC-550-400 | inches | 21.65 | 29.53 | 21.46 | CFM | 669 | 1338 | 251 | 114 |
| | | mm | 550 | 750 | 545 | CMH | 1137 | 2273 | | |
| 2 | EDC-770-400 | inches | 30.31 | 38.19 | 21.46 | CFM | 1369 | 2738 | 368 | 167 |
| | | mm | 770 | 970 | 545 | CMH | 2327 | 4653 | | |
| 3 | EDC-965-400 | inches | 37.99 | 45.87 | 23.43 | CFM | 2146 | 4292 | 485 | 220 |
| | | mm | 965 | 1165 | 595 | CMH | 3646 | 7293 | | |
| 4 | EDC-1220-400 | inches | 48.03 | 55.91 | 23.43 | CFM | 3452 | 6904 | 750 | 340 |
| | | mm | 1220 | 1420 | 595 | CMH | 5866 | 11732 | | |
| 5 | EDC-1525-400 | inches | 60.04 | 66.93 | 23.43 | CFM | 5493 | 10987 | 1021 | 463 |
| | | mm | 1525 | 1700 | 595 | CMH | 9334 | 18669 | | |
| 6 | EDC-1740-400 | inches | 68.50 | 75.20 | 23.43 | CFM | 7165 | 14329 | 1323 | 600 |
| | | mm | 1740 | 1910 | 595 | CMH | 12174 | 24349 | | |
| 7 | EDC-1940-400 | inches | 76.38 | 83.27 | 23.43 | CFM | 8970 | 17939 | 1577 | 715 |
| | | mm | 1940 | 2115 | 595 | CMH | 15242 | 30483 | | |
| 8 | EDC-2190-400 | inches | 86.22 | 93.11 | 23.43 | CFM | 11507 | 23014 | 1890 | 857 |
| | | mm | 2190 | 2365 | 595 | CMH | 19553 | 39106 | | |
| 9 | EDC-2450-400 | inches | 96.46 | 104.33 | 24.61 | CFM | 14410 | 28820 | 2646 | 1200 |
| | | mm | 2450 | 2650 | 625 | CMH | 24486 | 48972 | | |
| 10 | EDC-2650-400 | inches | 104.33 | 112.20 | 24.61 | CFM | 16924 | 33848 | 2983 | 1353 |
| | | mm | 2650 | 2850 | 625 | CMH | 28758 | 57516 | | |
| 11 | EDC-2950-400 | inches | 116.14 | 124.02 | 24.61 | CFM | 21069 | 42139 | 3524 | 1598 |
| | | mm | 2950 | 3150 | 625 | CMH | 35802 | 71604 | | |
| 12 | EDC-3550-400 | inches | 139.76 | 147.64 | 24.61 | CFM | 30577 | 61154 | 4838 | 2194 |
| | | mm | 3550 | 3750 | 625 | CMH | 51958 | 103915 | | |
| 13 | EDC-3950-400 | inches | 155.51 | 163.39 | 24.61 | CFM | 38001 | 76002 | 5759 | 2612 |
| | | mm | 3950 | 4150 | 625 | CMH | 64573 | 129145 | | |
| 14 | EDC-4250-400 | inches | 167.32 | 175.20 | 24.61 | CFM | 44093 | 88186 | 6505 | 2950 |
| | | mm | 4250 | 4450 | 625 | CMH | 74925 | 149849 | | |

ALL DATA SUBJECT TO CHANGE WITHOUT NOTICE



ECO-DRY DESICCANT CASSETTE DATA (RATIO 50:50)

EDC 250-4250 (ROTOR DEPTH-200)

| S.NO. | MODEL | DIMENSIONS | | | | NOMINAL PROCESS AIR VOLUME | | | APPROX WEIGHT (IN POUNDS) | APPROX WEIGHT (IN KGS.) |
|-------|--------------|------------|-----------|--------|-------|----------------------------|----------------|-----------------|---------------------------|-------------------------|
| | | UNIT | WHEEL DIA | A | B | UNIT | Min @2.0 m/sec | Max. @4.0 m/sec | | |
| 1 | EDC-250-200 | inches | 9.84 | 17.72 | 13.58 | CFM | 79 | 158 | 99 | 45 |
| | | mm | 250 | 450 | 345 | CMH | 134 | 268 | | |
| 2 | EDC-370-200 | inches | 14.57 | 22.44 | 13.58 | CFM | 194 | 387 | 128 | 58 |
| | | mm | 370 | 570 | 345 | CMH | 329 | 658 | | |
| 3 | EDC-440-200 | inches | 17.32 | 25.20 | 13.58 | CFM | 283 | 566 | 148 | 67 |
| | | mm | 440 | 640 | 345 | CMH | 481 | 961 | | |
| 4 | EDC-550-200 | inches | 21.65 | 29.53 | 13.58 | CFM | 456 | 912 | 181 | 82 |
| | | mm | 550 | 750 | 345 | CMH | 775 | 1550 | | |
| 5 | EDC-770-200 | inches | 30.31 | 38.19 | 13.58 | CFM | 913 | 1826 | 265 | 120 |
| | | mm | 770 | 970 | 345 | CMH | 1551 | 3102 | | |
| 6 | EDC-965-200 | inches | 37.99 | 45.87 | 15.55 | CFM | 1431 | 2861 | 344 | 156 |
| | | mm | 965 | 1165 | 395 | CMH | 2431 | 4862 | | |
| 7 | EDC-1220-200 | inches | 48.03 | 55.91 | 15.55 | CFM | 2331 | 4661 | 478 | 217 |
| | | mm | 1220 | 1420 | 395 | CMH | 3960 | 7921 | | |
| 8 | EDC-1525-200 | inches | 60.04 | 66.93 | 15.55 | CFM | 3671 | 7341 | 662 | 300 |
| | | mm | 1525 | 1700 | 395 | CMH | 6237 | 12474 | | |
| 9 | EDC-1740-200 | inches | 68.50 | 75.20 | 15.55 | CFM | 4776 | 9553 | 919 | 417 |
| | | mm | 1740 | 1910 | 395 | CMH | 8116 | 16232 | | |
| 10 | EDC-1940-200 | inches | 76.38 | 83.27 | 15.55 | CFM | 5980 | 11960 | 1080 | 490 |
| | | mm | 1940 | 2115 | 395 | CMH | 10161 | 20322 | | |
| 11 | EDC-2190-200 | inches | 86.22 | 93.11 | 15.55 | CFM | 7671 | 15343 | 1274 | 578 |
| | | mm | 2190 | 2365 | 395 | CMH | 13035 | 26071 | | |
| 12 | EDC-2450-200 | inches | 96.46 | 104.33 | 16.73 | CFM | 9607 | 19213 | 1665 | 755 |
| | | mm | 2450 | 2650 | 425 | CMH | 16324 | 32648 | | |
| 13 | EDC-2650-200 | inches | 104.33 | 112.20 | 16.73 | CFM | 11283 | 22565 | 1865 | 846 |
| | | mm | 2650 | 2850 | 425 | CMH | 19172 | 38344 | | |
| 14 | EDC-2950-200 | inches | 116.14 | 124.02 | 16.73 | CFM | 14046 | 28093 | 2183 | 990 |
| | | mm | 2950 | 3150 | 425 | CMH | 23868 | 47736 | | |
| 15 | EDC-3550-200 | inches | 139.76 | 147.64 | 16.73 | CFM | 20472 | 40944 | 2999 | 1360 |
| | | mm | 3550 | 3750 | 425 | CMH | 34787 | 69573 | | |
| 16 | EDC-3950-200 | inches | 155.51 | 163.39 | 16.73 | CFM | 25421 | 50842 | 3541 | 1606 |
| | | mm | 3950 | 4150 | 425 | CMH | 43197 | 86393 | | |
| 17 | EDC-4250-200 | inches | 167.32 | 175.20 | 16.73 | CFM | 29483 | 58965 | 3978 | 1804 |
| | | mm | 4250 | 4450 | 425 | CMH | 50098 | 100196 | | |

